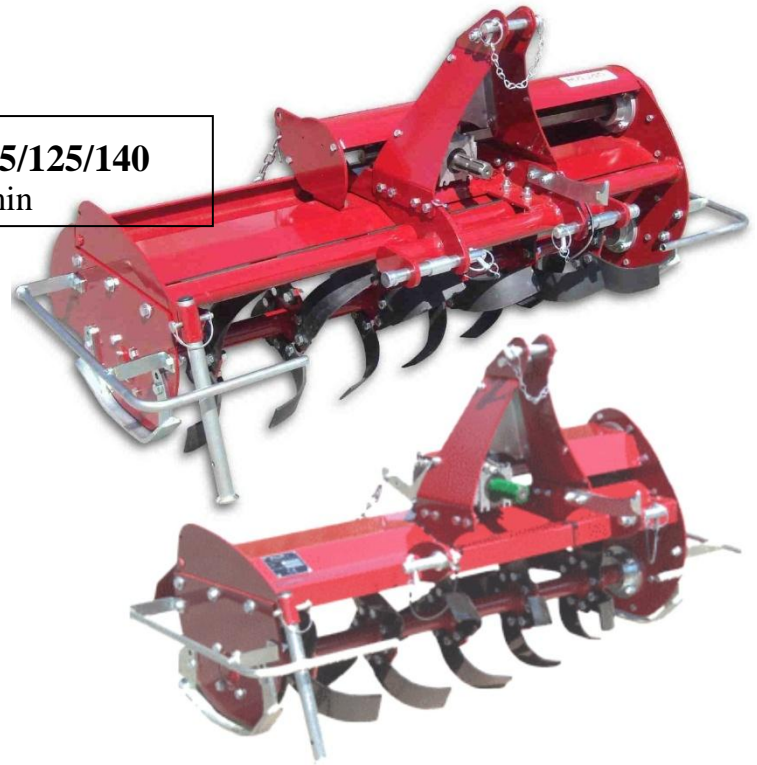


Rotary trimmer RFIX85/105 - RDM85/105/125/140
 Microtractor 10 - 30 HP with power grip 540 tr/min



Working width 85, 105 cm (RFIX)
 Working width 85, 105, 125 and 140 cm (RDM)
 Reinforced 3 point linkage cat.1
 Delivered with joint shaft with shearbolt clutch
 Depth control with skids for better lift while working on flat ground

The advantages :

Full steel monobloc rotor shaft: high strength and rigidity

Rotor with helical position: even drive without effort

Transmission : oversized chains, toothings pinons wear-proof and friction clutch to protect the rotor form impacts

Steel rotor bearing: agricultural, bearing and seal protection against stone projections

The advantages model RDM:

Lateral deflectors anti-projection avoid widrows

Rear hood thick-walled shock-resistant, for better land leveling

Adjustable offset slide mechanism of the linkage/angular gearbox

Delivered with case, hitch, deflectors, lateral protection and stand to install

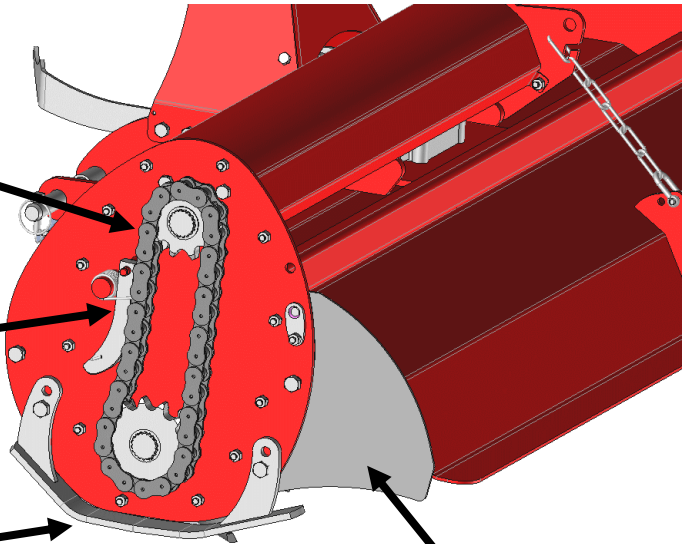
Options : OCF, friction torque limiter (maxi 20 HP)
 OSBF, cast iron housing
 RFIXDEF, set of 2 deflectors (for RFIX)

REF.	(HP)	Working width (cm)	Number of knives	Offset (cm)	Rotation Rotor (tr/min)	Lateral deflectors	Overall dimensions L x l x h (cm)	Weight (kg)
RFIX 85	10/20	85	16	14	240	Option	111 x 78 x 79	112
RFIX 105	12/20	105	20				131 x 78 x 79	121
RDM 85	10/25	85	16	0 à 23		Serie	111 x 81 x 81	126
RDM 105	12/30	105	20	0 à 33			131 x 81 x 81	139
RDM 125	15/30	125	24	0 à 43			151 x 81 x 81	151
RDM 140	20/30	140	28	7 à 50			166 x 81 x 81	162

Oversized transmission
surdimensionnée avec denture
traitée haute résistance

Automatic chain tension

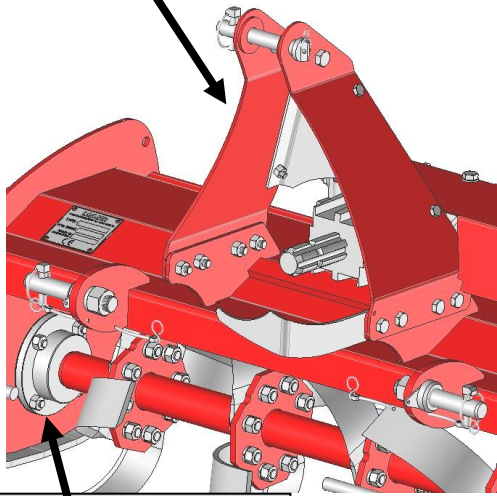
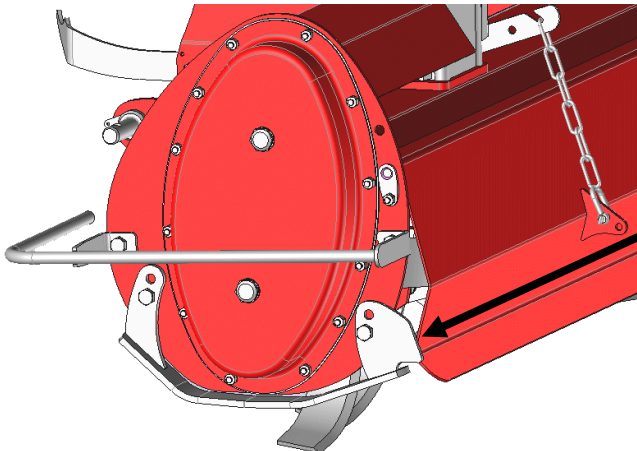
2 adjustable bases 4 positions
working on flat ground



Lateral deflectors anti widow
RDM

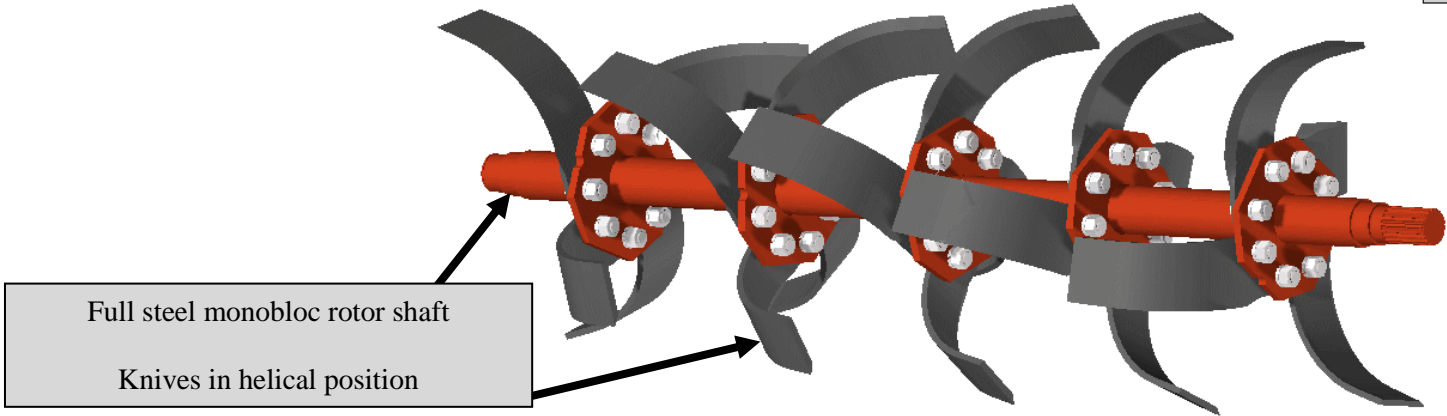
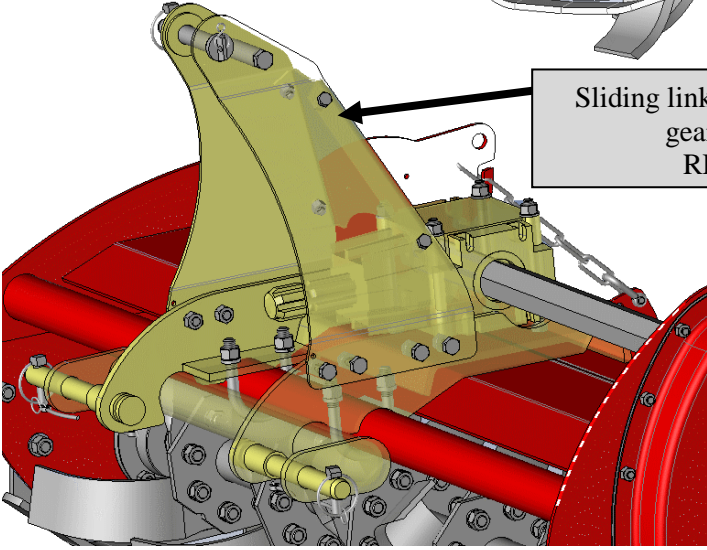
Lateral mini deflector
RFIX

Fixed linkage
RFIX



Sliding linkage/angular
gearbox
RDM

Steel rotor bearing protecting
seal and bearing



Full steel monobloc rotor shaft
Knives in helical position